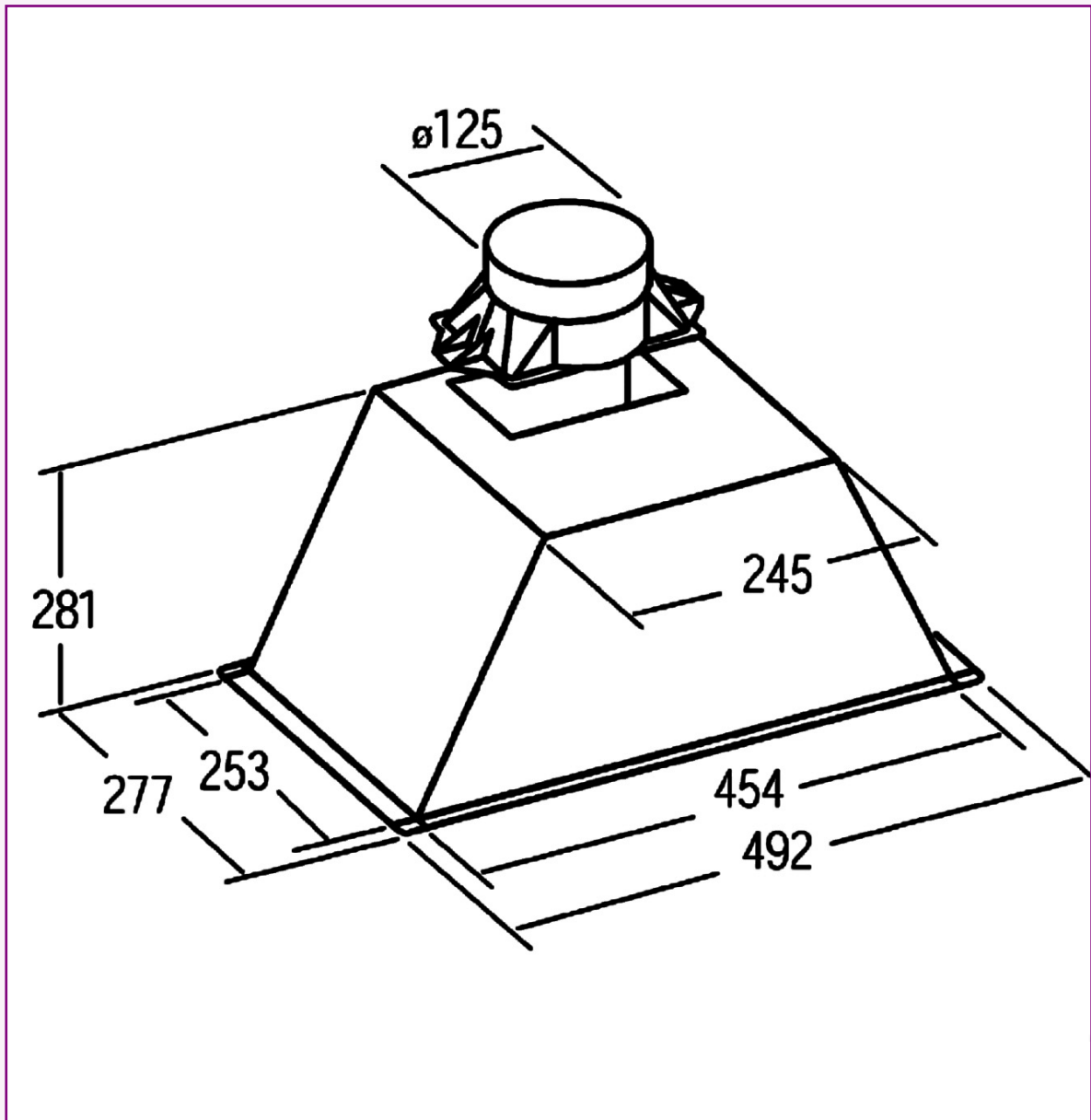


# LGT Plus



- Powerful built-in cabinet cooker hood
- Extract or recirculation
- 3 speed slide control
  - airflow 3 - 851 m<sup>3</sup>/hr
  - airflow 2 - 720 m<sup>3</sup>/hr
  - airflow 1 - 590 m<sup>3</sup>/hr
- Air pressure - 507 Pa
- 2 x 50w halogen lights
- Operation indicator light
- 2 washable grease filters
- Available for 60cm with canopy
- Powerful tangential 240w motor
- Stainless steel

# LGT Plus



Vectaire Ltd  
Lincoln Road  
Cressex Business Park  
High Wycombe  
Bucks, HP12 3RH  
Tel: +44(0)1494 522333  
Fax: +44(0)1494 522337  
Email: [sales@vectaire.co.uk](mailto:sales@vectaire.co.uk)  
www: [vectaire.co.uk](http://vectaire.co.uk)

